

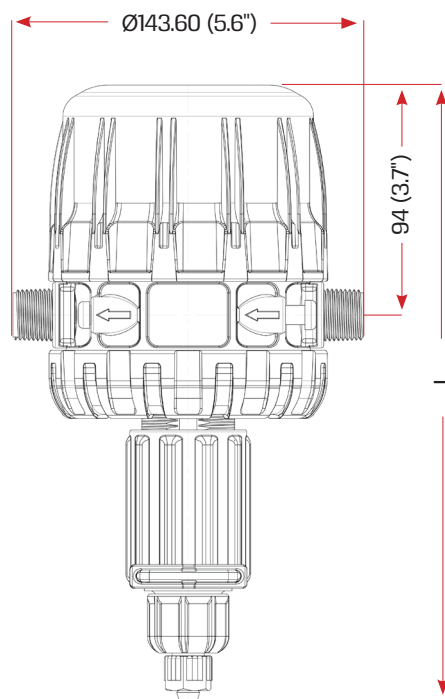
MixRite DOSING PUMPS

MixRite 1 m³/h

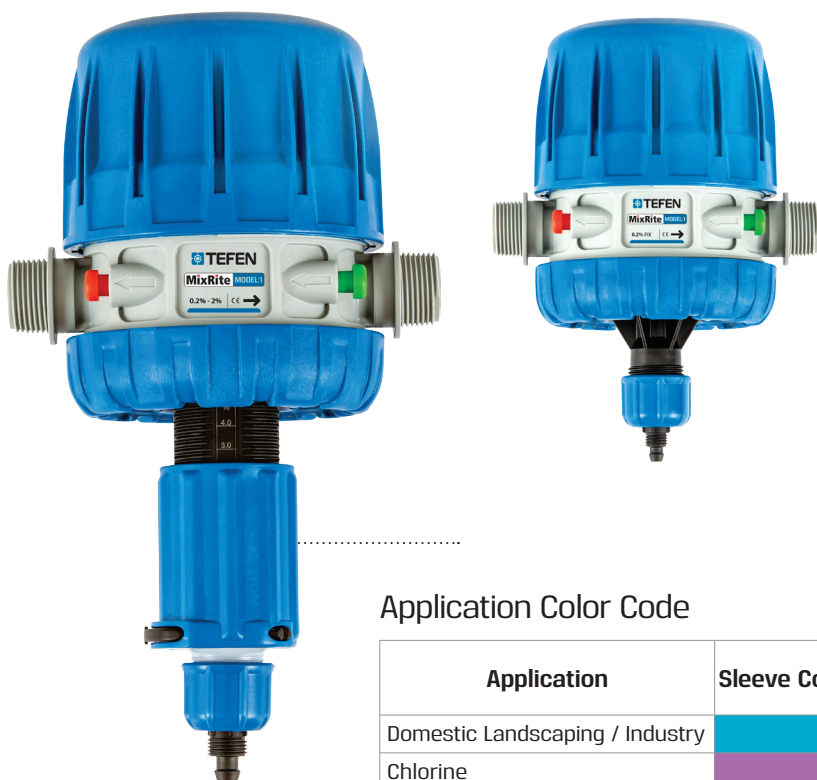
MixRite 1 Series

Technical Information

Water pressure	0.2 - 8 bar (2.9 - 120 psi)
Flow Rate	20 - 1000 l/h (5.29 - 264.5) gal/h
Working temp	4-40° C (39.2-104° F)
Coupling	3/4"



Model	L
Fix	212.5 (8.3")
Adjustable	254.0 (10")



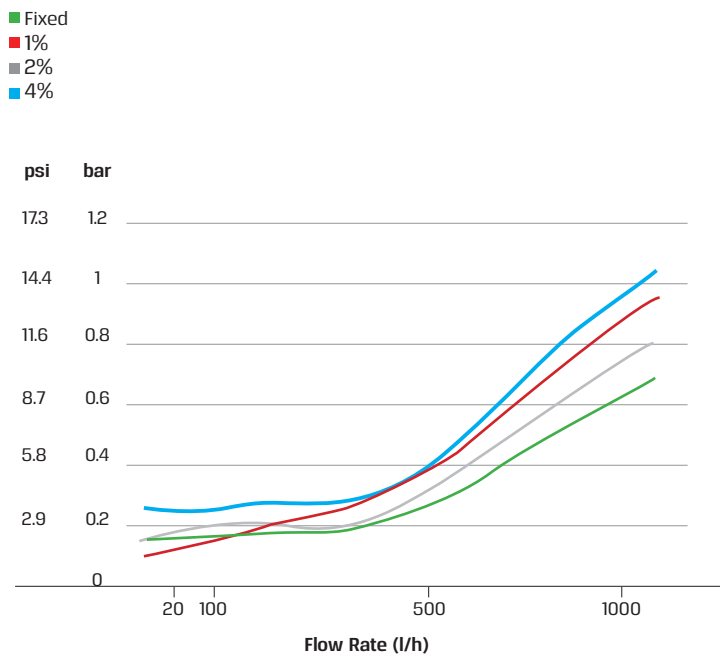
Application Color Code

Application	Sleeve Color	TEFEN Code	Seal Material	Spring Material
Domestic Landscaping / Industry		STD	NBR	SST
Chlorine		CL	Viton	Hastelloy

Application Range

Dosage Rate %	Applications	Flow Rate Range	Pressure Range	Dosage Rate	Connectors Dia. Thread	Min-Max Injection Rate Per Hour
0.2% Fix	Domestic Landscaping	20-1000 l/h 0.088 to 4.4gpm	0.2-8 bar 2.9-120 psi	1:500	3/4" BSPT	0.04 - 2 l/h 0.01 - 0.53 gph
0.1% - 1%	Chlorine/ Industry	20-1000 l/h 0.088 to 4.4gpm	0.2-8 bar 2.9-120 psi	1:1000 - 1:100	3/4" BSPT	0.02 - 10 l/h 0.005 - 2.64 gph
0.2% - 2%	Chlorine/ Industry	20-1000 l/h 0.088 to 4.4gpm	0.2-8 bar 2.9-120 psi	1:500 - 1:50	3/4" BSPT	0.04 - 20 l/h 0.016 - 5.3 gph
0.4% - 4%	Chlorine/ Industry	30-1000 l/h 0.132 to 4.4gpm	0.2-8 bar 2.9-120 psi	1:250 - 1:25	3/4" BSPT	0.12 - 40 l/h 0.032 - 10.57 gph

Pressure Loss



Max. injection rate/h

