

Applications

The F600 Series Gravel Filters have been designed to provide high quality filtration solutions for water with a high contamination of organic material and algae.

The high quality filtration and easy/efficient backwash mechanism ensure the user of a consistent, credible water supply for the long term.

Components

The filter body is made of electrostatic-coated carbon steel with baked-on epoxy.

The gravel media for the filters should be in a layer of precisely 40 cm depth.

These Filters are manufactured with a full range of filter sizes allowing for flexible design of filtration systems.

Operating principle

Water enters the filter via the inlet and spreads equally on the media.

Dirt particles and organic materials are trapped on the media surface. The water that passes through, and flows out via the filter elements will be free from all dirt.

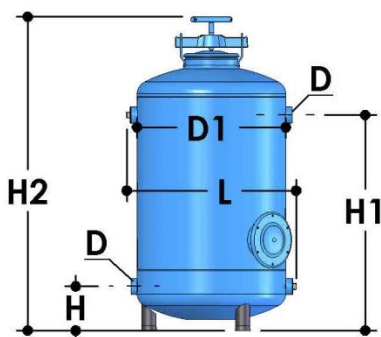
The cleaning backwash process is done by shutting the inlet of the filter with the 3-way backwash valve.

Model Specifications

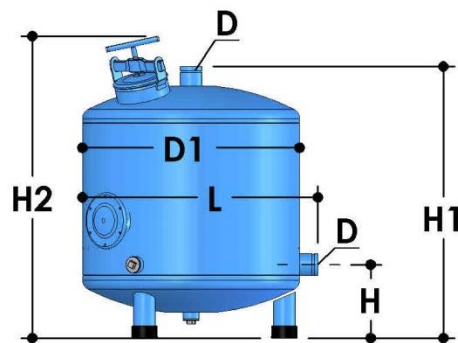
| Model | D In/out (inch) | D1 (inch) | Flow Rate (m ³ /h) | Min. Flushing Flow Rate (m ³ /h) | H (mm) | H1 (mm) | H2 (mm) | L (mm) | Unit weight (kg) | No. gravel bags of 25 kg |
|-------|-----------------|-----------|-------------------------------|---|--------|---------|---------|--------|------------------|--------------------------|
| F605 | 1 | 12 | 3-6 | 6 | 150 | 785 | 1160 | 445 | 45 | 2 |
| F610 | 1 ½ | 16 | 3-10 | 10 | 180 | 570 | 1175 | 457 | 48 | 3 |
| F620 | 2 | 20 | 5-16 | 17 | 180 | 880 | 1280 | 548 | 60 | 5 |
| F630 | 3 | 20 | 5-16 | 26 | 180 | 880 | 1280 | 617 | 60 | 5 |
| F635 | 2 | 24 | 8-25 | 26 | 180 | 880 | 1285 | 696 | 85 | 7 |
| F640 | 3 | 30 | 11-35 | 37 | 300 | 1070 | 1197 | 864 | 130 | 12 |
| F650 | 3 | 36 | 16-50 | 54 | 300 | 1110 | 1242 | 1010 | 170 | 16 |
| F660 | 4 | 48 | 28-90 | 96 | 330 | 1110 | 1189 | 1338 | 246 | 23 |
| F680 | 4 | 60 | 80-150 | 155 | 440 | 1420 | 1515 | 1585 | 515 | 40 |

Note: Standard connections for 12"- 25" filters – threaded.

Standard connections for 30"- 48" filters – Flange



Model: F605-F635



Model: F640-F680

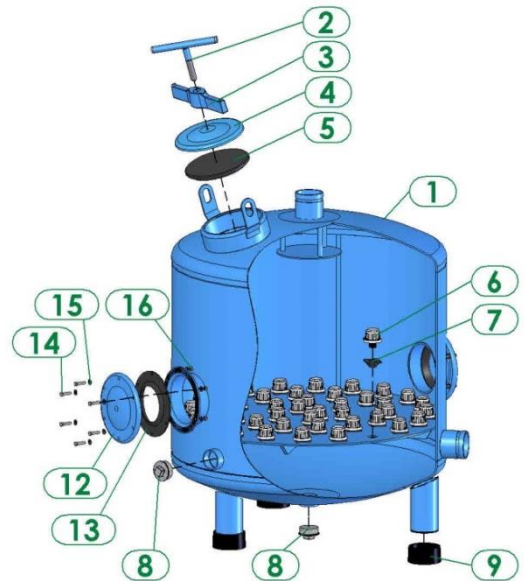
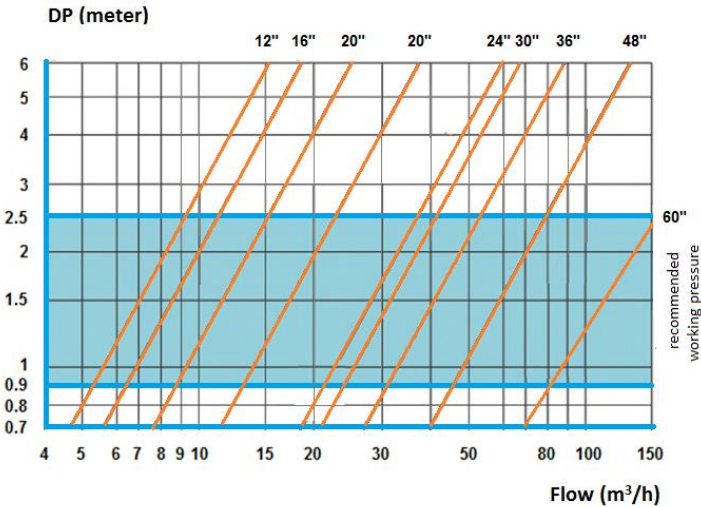
Components Description & Spare Parts ordering information

| Description | Model | | | | | | | | | |
|----------------------------|----------------|------------------|----------------|----------------|----------------|-----------------|-----------------|-----------------|----------------|--|
| | F605 12"*1" | F610 16"*1.5" | F620 20"*2" | F630 20"*3" | F635 24"*2" | F640 30"*3" | F650 36"*3" | F660 48"*4" | F680 60"*4" | |
| 1 Filter body | N/A | N/A | N/A | N/A | N/A | N/A | N/A | N/A | N/A | |
| 2 Handle | E6020106000 | E6020106000 | E6020106000 | E6020106000 | E6020106000 | E6020106000 | E6020106000 | E6020106000 | E6020106000 | |
| 3 Tightening bracket | 6012006000-P | 6012108000-P | 6012108000-P | 6012108000-P | 6012108000-P | 6012108000-P | 6012108000-P | 6012108000-P | 6012108000-P | |
| 4 Cover | 5320200601-P | 5320010800-P | 5320010800-P | 5320010800-P | 5320010800-P | 5320010800-P | 5320010800-P | 5320010800-P | 5320010800-P | |
| 5 Cover gasket | 5311150600-040 | 5311200600-120 | 5311200600-120 | 5311200600-120 | 5311200600-120 | 5311200600-120 | 5311200600-120 | 5311200600-120 | 5311200600-120 | |
| 6 "Mushroom" diffuser | 4000016500 | 4000016500 | 4000016500 | 4000016500 | 4000016500 | 4000016500 | 4000016500 | 4000016500 | 4000016500 | |
| 7 Rubber bushing | 5312000600-280 | 5312000600-280 | 5312000600-280 | 5312000600-280 | 5312000600-280 | 5312000600-280 | 5312000600-280 | 5312000600-280 | 5312000600-280 | |
| 8 Male plug | 4180100300 | 4180150300 | 4180200300 | 4180200300 | 4180200300 | 4180200300 | 4180200300 | 4180200300 | 4180200300 | |
| 9 Rubber leg | 5312007600-069 | 5312007600-069 | 5312007600-068 | 5312007600-068 | 5312007600-069 | E5312030600-067 | E5312030600-067 | E5312030600-067 | ----- | |
| 10 PVC nipple | 4240106000-120 | 4240156000-150 | 4240206000-200 | - | 4240206000-250 | ----- | ----- | ----- | ----- | |
| 11 Elbow | 4170106501 | 4170156501 | 4170206501 | 6226002000 | 4170206501 | ----- | ----- | ----- | ----- | |
| 12 Service cover 6" | ----- | 5320010600-P | 5320010600-P | 5320010600-P | 5320010600-P | 5320010600-P | 5320010600-P | 5320010600-P | ----- | |
| 13 Service cover 6" gasket | ----- | 5311150600-045 | 5311150600-045 | 5311150600-045 | 5311150600-045 | 5311150600-045 | 5311150600-045 | 5311150600-045 | ----- | |
| 14 Bolt | ----- | 4102110401-030 | 4102110401-030 | 4102110401-030 | 4102110401-030 | 4102110401-030 | 4102110401-030 | 4102110401-030 | ----- | |
| 15 Washer | ----- | 4122110401 | 4122110401 | 4122110401 | 4122110401 | 4122110401 | 4122110401 | 4122110401 | ----- | |
| 16 Nut | ----- | 4112110401 | 4112110401 | 4112110401 | 4112110401 | 4112110401 | 4112110401 | 4112110401 | ----- | |
| 17 Quick connector cover | 5320010402-P | ----- | ----- | ----- | ----- | ----- | ----- | ----- | 5320010402-P | |
| 18 Quick connector | 4150104000-03P | ----- | ----- | ----- | ----- | ----- | ----- | ----- | 4150104000-03P | |
| 19 Quick connector gasket | 4084040200 | ----- | ----- | ----- | ----- | ----- | ----- | ----- | 4084040200 | |

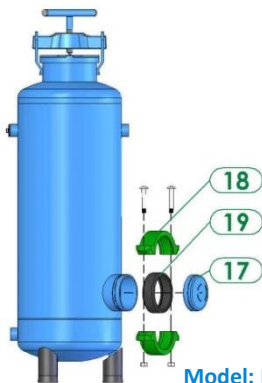
Warnings! Important safety instructions: * Maximum pressure is 8 bar. * Do not open the filter cover without first performing the following actions:

1. Close both the inlet and outlet valves.
2. Open the filter drain and be certain that the filter is fully drained and the pressure is 0.
3. The filter cover can now be carefully opened.

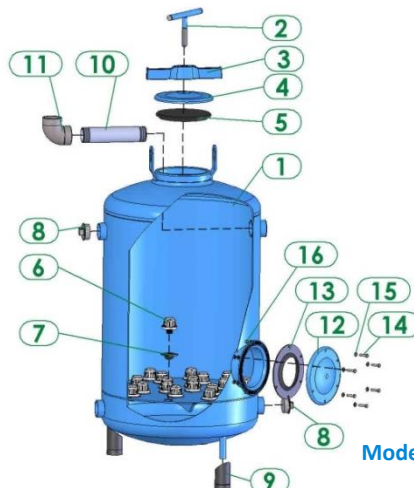
Pressure loss at 120 micron



Model: F640-680



Model: F605



Model: F610-F635